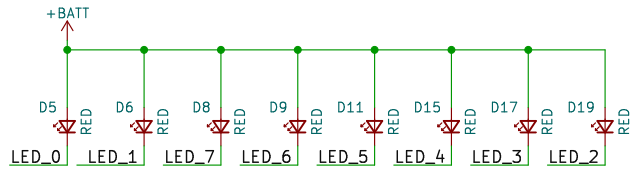
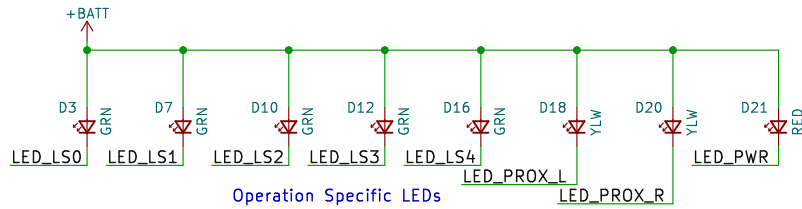


david@fria.com	
Fria, Inc	
Sheet: /	
File: CodeBot.kicad_sch	
Title: CodeBot Mk 3 - "CB3"	
Size: A4	Date: 2022-03-29
KiCad E.D.A. kicad (6.0.1)	Rev: C
	Id: 1/4

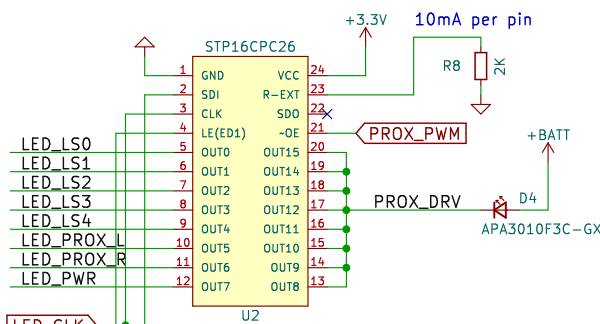
File: CodeBot-p2.kicad_sch File: CodeBot-p3.kicad_sch File: CodeBot-p4.kicad_sch



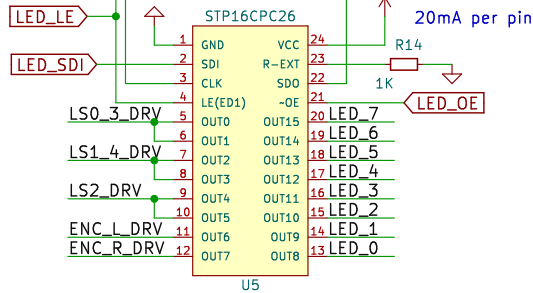
User Byte LEDs



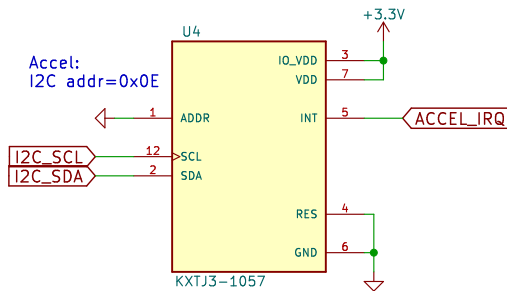
Operation Specific LEDs



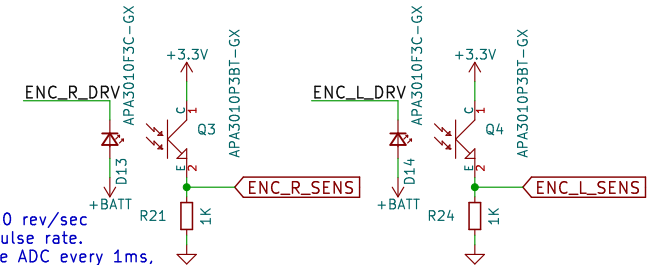
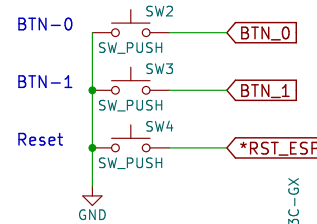
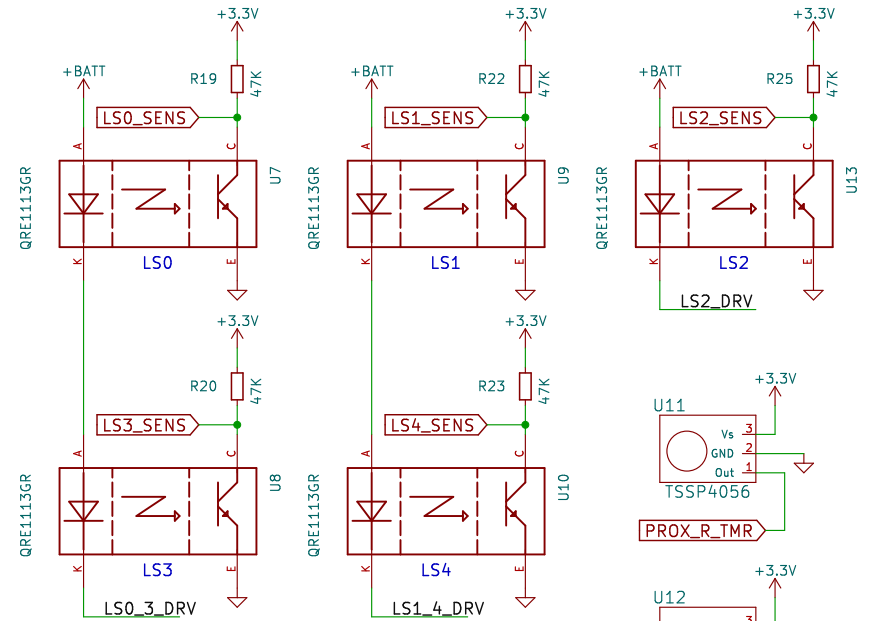
10mA per pin



20mA per pin



Accel:
I2C addr=0x0E



At top speed 10 rev/sec
will get 5ms pulse rate.
Need to sample ADC every 1ms,
so need separate LED drive.

david@firia.com

Firia, Inc

Sheet: /CodeBot-p2/

File: CodeBot-p2.kicad_sch

Title: CodeBot Mk 3 - "CB3"

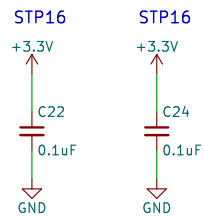
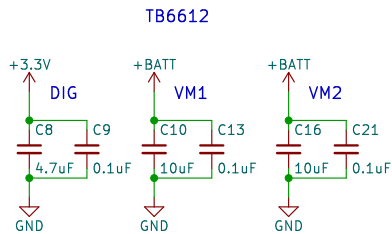
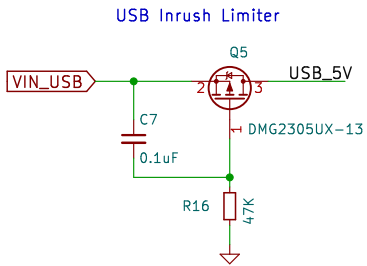
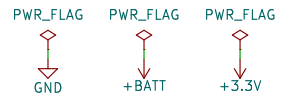
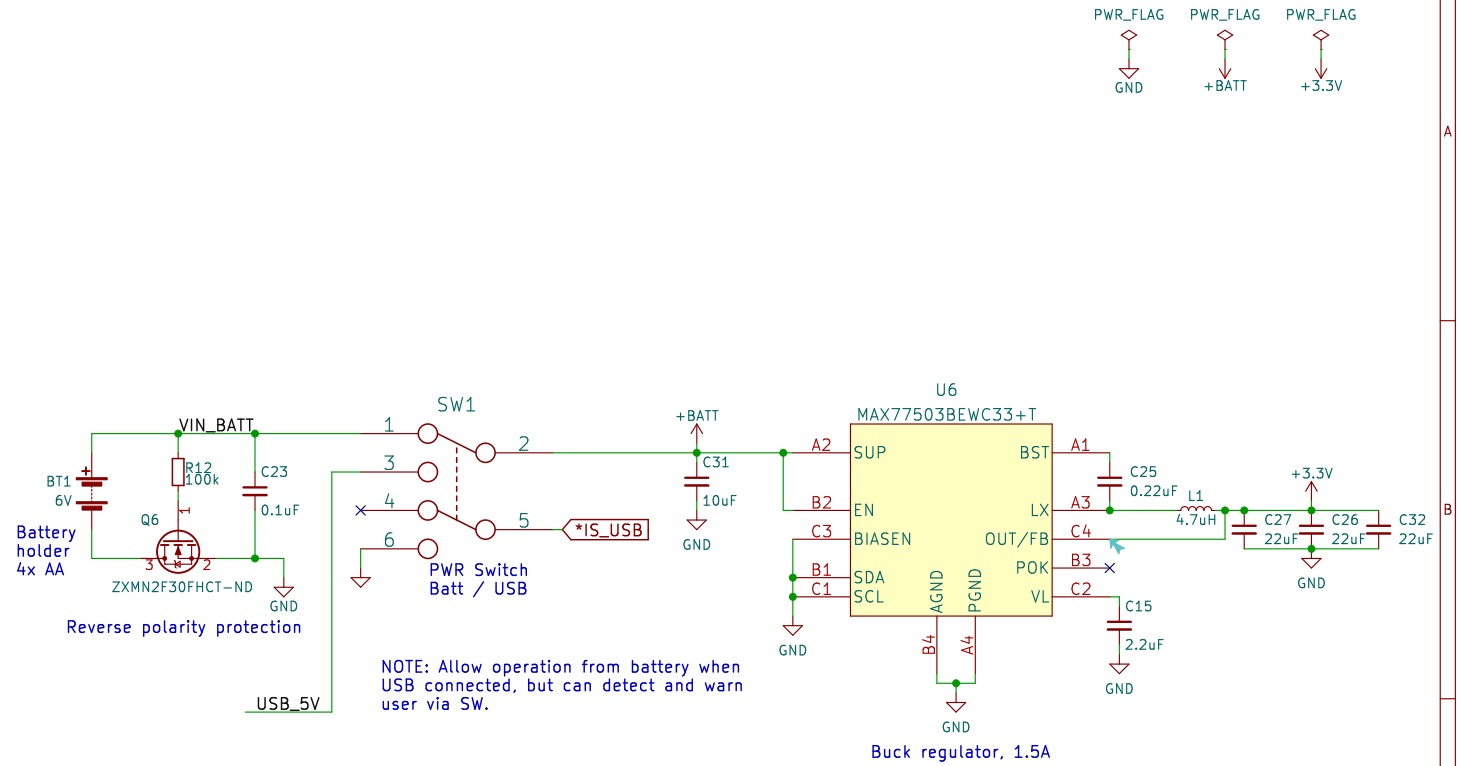
Size: A4

Date: 2022-03-29

KiCad E.D.A. kicad (6.0.1)

Rev: C

Id: 2/4



david@firia.com
Firia, Inc

Sheet: /CodeBot-p3/
File: CodeBot-p3.kicad_sch

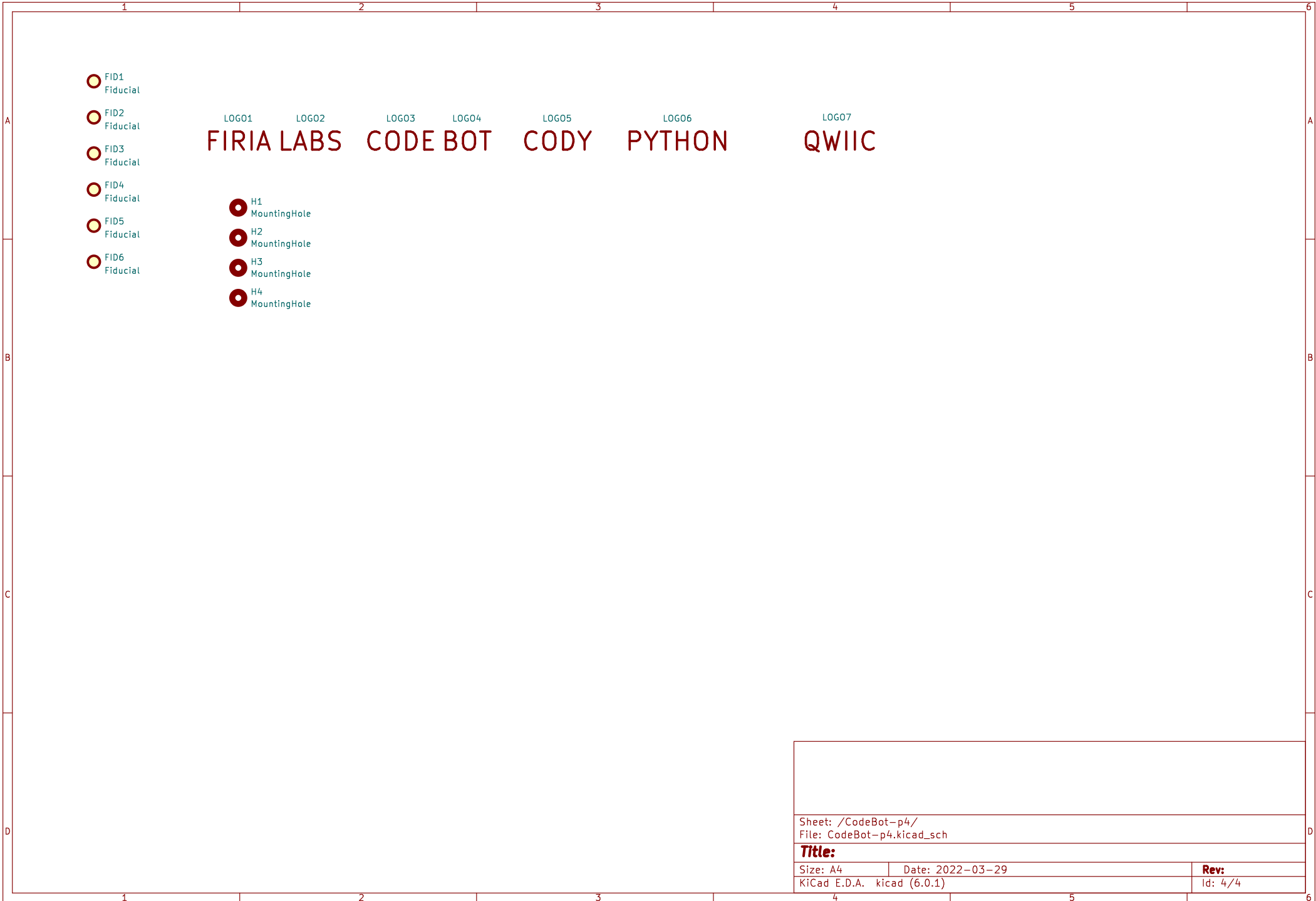
Title: CodeBot Mk 3 - "CB3"

Size: A4 Date: 2022-03-29

KiCad E.D.A. kicad (6.0.1)

Rev: C

Id: 3/4



FID1
Fiducial

FID2
Fiducial

FID3
Fiducial

FID4
Fiducial

FID5
Fiducial

FID6
Fiducial

LOGO1
FIRIA LABS

LOGO2
CODE BOT

LOGO3
CODY

LOGO4
PYTHON

LOGO5
PYTHON

LOGO6
PYTHON

LOGO7
QWIIC

H1
MountingHole

H2
MountingHole

H3
MountingHole

H4
MountingHole

Sheet: /CodeBot-p4/
File: CodeBot-p4.kicad_sch

Title:

Size: A4 Date: 2022-03-29

KiCad E.D.A. kicad (6.0.1)

Rev:
Id: 4/4