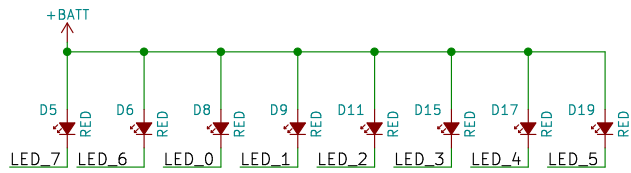
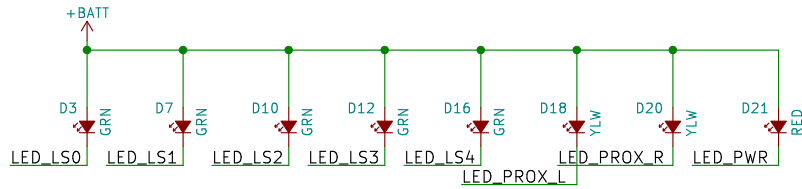


david@firia.com
Firia, Inc
 Sheet: /
 File: CodeBot.sch
Title: CodeBot CB 2
 Size: A4 Date: 2019-01-07
 KiCad E.D.A. kicad 4.0.2-stable
 Rev: A
 Id: 1/3

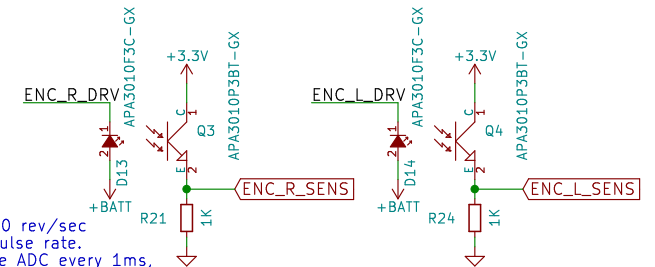
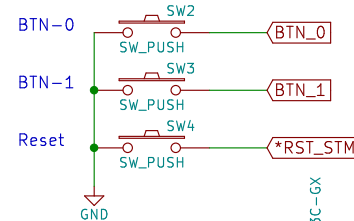
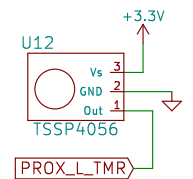
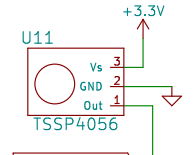
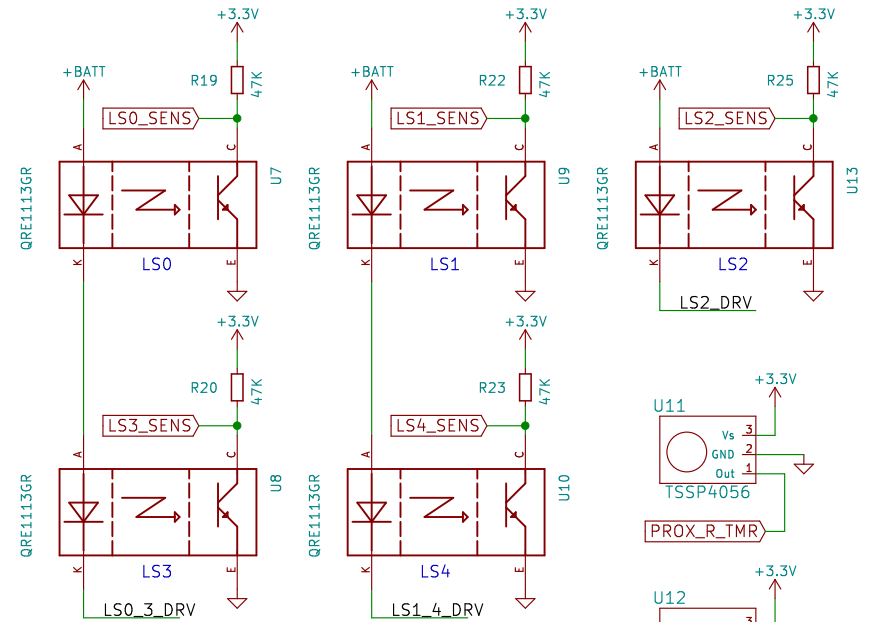
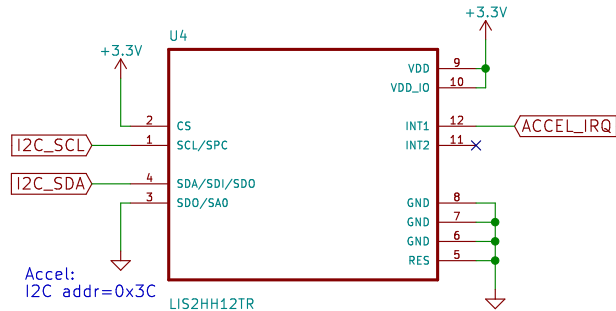
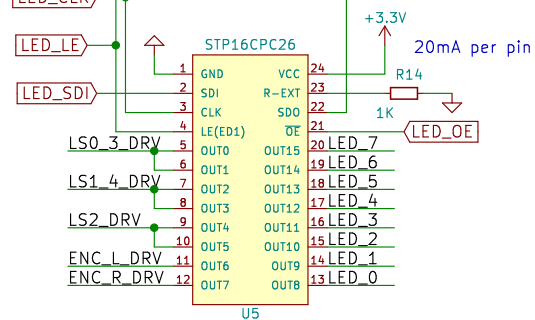
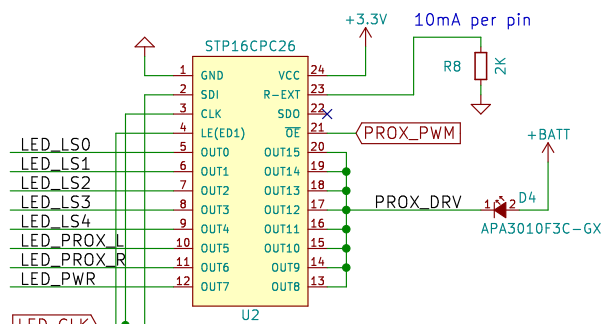
Sheet: CodeBot-p2
 Sheet: CodeBot-p3
 File: CodeBot-p2.sch
 File: CodeBot-p3.sch



User Byte LEDs



Operation Specific LEDs



At top speed 10 rev/sec will get 5ms pulse rate. Need to sample ADC every 1ms, so need separate LED drive.

david@firia.com
Firia, Inc

Sheet: /CodeBot-p2/
File: CodeBot-p2.sch

Title: CodeBot CB 2

Size: A4 Date: 2019-01-07

KiCad E.D.A. kicad 4.0.2-stable

Rev: A

Id: 2/3

